



Pipes & Fittings

ELECTRICAL PIPING SYSTEMS

2018-19

WHAT'S INSIDE

5

COMPANY PROFILE

7

ROUND CONDUIT uPVC PIPES & FITTINGS

27

CORRUGATED FLEXIBLE CONDUIT & FITTINGS

33

uPVC MINI/MAXI TRUNKING PROFILE & FITTINGS

41

uPVC PANEL TRUNKING

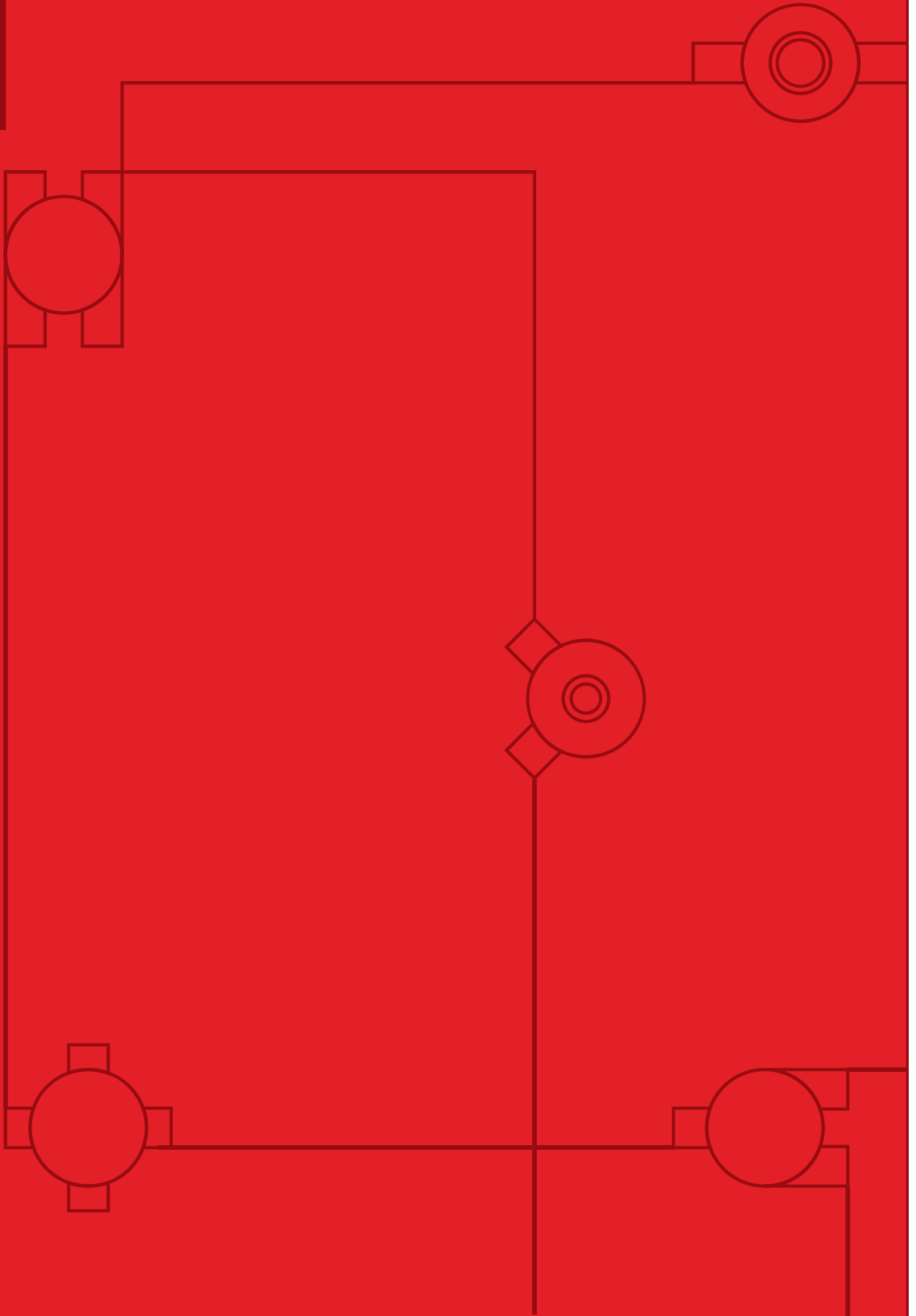
47

TECHNICAL INFORMATION









ROUND CONDUIT uPVC PIPES AND FITTINGS

Precision Round Conduit uPVC Pipes and Fittings are manufactured from a specially formulated unplasticised polyvinyl chloride (uPVC) to meet the most stringent Indian and international standards. Our products are made of extra super high impact materials which make them safe to use in harsh environments. The products are manufactured in accordance with **IS 9537-Part 3**, **BS EN 61386-21** for uPVC conduits, **IS 3419:1988** and **BS 4607** for uPVC fittings.

Applications

Channelising concealed and surface wiring.
Telecommunication and cable ducting.

Features

Various diameters and grades.
Light, medium and heavy mechanical stress, to suit various applications and site conditions.
Easy and fast installation.
Wide range of component maximises application.
Durable and impact resistant.
Fire retardant.
Corrosion free.
Thermal resistant from -5° C to +60° C.
Precision circular boxes and adaptable boxes are provided with M4 brass insert with a load suspension capacity of 3 Kgs at 60° C.

Colours

Black, Grey, Ivory and White. 
Red, Green, Blue and Yellow are available on request.



ROUND CONDUIT uPVC PIPES (NON-SOCKETED) **A**

COLOUR: BLACK / GREY / IVORY / WHITE LENGTH: 3MTR

08

LMS (LIGHT MECHANICAL STRESS) FRLS[≈]

SR NO	PRODUCT CODE	SIZE OD (mm)	STANDARD PACK	
			Pc x Mtr	Mtr/Bundle
1	PRC 16L	16	100 x 3m	300
2	PRC 19L #	19	100 x 3m	300
3	PRC 20L	20	100 x 3m	300
4	PRC 25L	25	100 x 3m	300
5	PRC 32L	32	50 x 3m	150
6	PRC 38L #	38	30 x 3m	90
7	PRC 40L	40	25 x 3m	75
8	PRC 50L	50	20 x 3m	60
9	PRC 63L	63	18 x 3m	54

MMS (MEDIUM MECHANICAL STRESS) FRLS[≈]

SR NO	PRODUCT CODE	SIZE OD (mm)	STANDARD PACK	
			Pc x Mtr	Mtr/Bundle
10	PRC 16M	16	100 x 3m	300
11	PRC 19M #	19	100 x 3m	300
12	PRC 20M	20	100 x 3m	300
13	PRC 25M	25	100 x 3m	300
14	PRC 32M	32	50 x 3m	150
15	PRC 38M #	38	30 x 3m	90
16	PRC 40M	40	25 x 3m	75
17	PRC 50M	50	20 x 3m	60

HMS (HEAVY MECHANICAL STRESS) FRLS[≈]

SR NO	PRODUCT CODE	SIZE OD (mm)	STANDARD PACK	
			Pc x Mtr	Mtr/Bundle
18	PRC 16H	16	100 x 3m	300
19	PRC 19H #	19	100 x 3m	300
20	PRC 20H	20	100 x 3m	300
21	PRC 25H	25	50 x 3m	150
22	PRC 32H	32	50 x 3m	150
23	PRC 38H #	38	30 x 3m	90
24	PRC 40H	40	25 x 3m	75
25	PRC 50H	50	20 x 3m	60

MMS (*L.H.S.F.T. CONDUIT)

SR NO	PRODUCT CODE	SIZE OD (mm)	STANDARD PACK	
			Pc x Mtr	Mtr/Bundle
26	PSFT 20M	20	100 x 3m	300
27	PSFT 25M	25	100 x 3m	300
28	PSFT 32M	32	50 x 3m	150
29	PSFT 40M	40	25 x 3m	75
30	PSFT 50M	50	20 x 3m	60

HMS (*L.H.S.F.T. CONDUIT)

31	PSFT 20H	20	100 x 3m	300
32	PSFT 25H	25	50 x 3m	150
33	PSFT 32H	32	50 x 3m	150
34	PSFT 40H	40	25 x 3m	75
35	PSFT 50H	50	20 x 3m	60

Special Sizes

≈ FRLS : • Fire Retardant • Low Smoke

* LHSFT : • Low - Halogen • Smoke Suppressing • Fire Retardant
• Temperature Stable • Lead Free



ROUND CONDUIT uPVC PIPES (SOCKETED) **B**

COLOUR: BLACK / GREY / IVORY / WHITE LENGTH: 3MTR

09

LMS (LIGHT MECHANICAL STRESS) FRLS≈

SR NO	PRODUCT CODE	SIZE OD (mm)	STANDARD PACK	
			Pc x Mtr	Mtr/Bundle
36	PRCS 16L	16	100 x 3m	300
37	PRCS 19L #	19	100 x 3m	300
38	PRCS 20L	20	100 x 3m	300
39	PRCS 25L	25	100 x 3m	300
40	PRCS 32L	32	50 x 3m	150
41	PRCS 38L #	38	30 x 3m	90
42	PRCS 40L	40	25 x 3m	75
43	PRCS 50L	50	20 x 3m	60
44	PRCS 63L	63	18 x 3m	54

MMS (MEDIUM MECHANICAL STRESS) FRLS≈

SR NO	PRODUCT CODE	SIZE OD (mm)	STANDARD PACK	
			Pc x Mtr	Mtr/Bundle
45	PRCS 16M	16	100 x 3m	300
46	PRCS 19M #	19	100 x 3m	300
47	PRCS 20M	20	100 x 3m	300
48	PRCS 25M	25	100 x 3m	300
49	PRCS 32M	32	50 x 3m	150
50	PRCS 38M #	38	30 x 3m	90
51	PRCS 40M	40	25 x 3m	75
52	PRCS 50M	50	20 x 3m	60

HMS (HEAVY MECHANICAL STRESS) FRLS≈

SR NO	PRODUCT CODE	SIZE OD (mm)	STANDARD PACK	
			Pc x Mtr	Mtr/Bundle
53	PRCS 16H	16	100 x 3m	300
54	PRCS 19H #	19	100 x 3m	300
55	PRCS 20H	20	100 x 3m	300
56	PRCS 25H	25	50 x 3m	150
57	PRCS 32H	32	50 x 3m	150
58	PRCS 38H #	38	30 x 3m	90
59	PRCS 40H	40	25 x 3m	75
60	PRCS 50H	50	20 x 3m	60

MMS (*L.H.S.F.T. CONDUIT)

SR NO	PRODUCT CODE	SIZE OD (mm)	STANDARD PACK	
			Pc x Mtr	Mtr/Bundle
61	PSFT 20MS	20	100 x 3m	300
62	PSFT 25MS	25	100 x 3m	300
63	PSFT 32MS	32	50 x 3m	150
64	PSFT 40MS	40	25 x 3m	75
65	PSFT 50MS	50	20 x 3m	60

HMS (*L.H.S.F.T. CONDUIT)

66	PSFT 20HS	20	100 x 3m	300
67	PSFT 25HS	25	50 x 3m	150
68	PSFT 32HS	32	50 x 3m	150
69	PSFT 40HS	40	25 x 3m	75
70	PSFT 50HS	50	20 x 3m	60

BENDING SPRING

SR NO	PRODUCT CODE	SIZE OD (mm)	STANDARD PACK	
			Pc/Bag	Pc/Carton
71	PBS 20M	20	5	50
72	PBS 20H	20	5	50
73	PBS 25M	25	5	25
74	PBS 25H	25	5	25



C

ROUND CONDUIT uPVC PIPE FITTINGS

COLOUR: BLACK / GREY / IVORY / WHITE

CIRCULAR BOX WITHOUT LID

CIRCULAR BOX - TERMINAL (1 WAY)



SR NO	PRODUCT CODE	SIZE - OD (mm)	STANDARD PACK	
			Pc/Box	Pc/Carton
75	PRCB 191	19	20	600
76	PRCB 201	20	20	600
77	PRCB 251	25	15	450
78	PRCB 321	32	10	160
79	PRCB 401	40	10	160
80	PRCB 501	50	5	80

CIRCULAR BOX - ANGLE (2 WAY)



SR NO	PRODUCT CODE	SIZE - OD (mm)	STANDARD PACK	
			Pc/Box	Pc/Carton
81	PRCB 192A	19	20	400
82	PRCB 202A	20	20	400
83	PRCB 252A	25	15	300
84	PRCB 322A	32	10	160
85	PRCB 402A	40	10	160
86	PRCB 502A	50	5	80

CIRCULAR BOX - THROUGH (2 WAY)



SR NO	PRODUCT CODE	SIZE - OD (mm)	STANDARD PACK	
			Pc/Box	Pc/Carton
87	PRCB 192S	19	20	400
88	PRCB 202S	20	20	400
89	PRCB 252S	25	15	300
90	PRCB 322S	32	10	160
91	PRCB 402S	40	10	160
92	PRCB 502S	50	5	80

CIRCULAR BOX - TEE (3 WAY)



SR NO	PRODUCT CODE	SIZE - OD (mm)	STANDARD PACK	
			Pc/Box	Pc/Carton
93	PRCB 193	19	20	400
94	PRCB 203	20	20	400
95	PRCB 253	25	15	300
96	PRCB 323	32	10	160
97	PRCB 403	40	10	160
98	PRCB 503	50	5	80

CIRCULAR BOX - INTERSECTION (4 WAY)



SR NO	PRODUCT CODE	SIZE - OD (mm)	STANDARD PACK	
			Pc/Box	Pc/Carton
99	PRCB 194	19	20	400
100	PRCB 204	20	20	400
101	PRCB 254	25	15	240
102	PRCB 324	32	10	160
103	PRCB 404	40	10	160
104	PRCB 504	50	5	80

ROUND CONDUIT uPVC PIPE FITTINGS

COLOUR: BLACK / GREY / IVORY / WHITE

CIRCULAR BOX WITHOUT LID



DEEP CIRCULAR BOX - TERMINAL (1 WAY)

SR NO	PRODUCT CODE	SIZE - OD (mm)	STANDARD PACK	
			Pc/Box	Pc/Carton
105	PRCB 191D	19	10	280
106	PRCB 201D	20	10	280
107	PRCB 251D	25	10	280
108	PRCB 321D	32	10	280



DEEP CIRCULAR BOX - ANGLE (2 WAY)

SR NO	PRODUCT CODE	SIZE - OD (mm)	STANDARD PACK	
			Pc/Box	Pc/Carton
109	PRCB 192AD	19	10	280
110	PRCB 202AD	20	10	280
111	PRCB 252AD	25	10	280
112	PRCB 322AD	32	10	280



DEEP CIRCULAR BOX - THROUGH (2 WAY)

SR NO	PRODUCT CODE	SIZE - OD (mm)	STANDARD PACK	
			Pc/Box	Pc/Carton
113	PRCB 192SD	19	10	200
114	PRCB 202SD	20	10	200
115	PRCB 252SD	25	10	200
116	PRCB 322SD	32	10	200



DEEP CIRCULAR BOX - TEE (3 WAY)

SR NO	PRODUCT CODE	SIZE - OD (mm)	STANDARD PACK	
			Pc/Box	Pc/Carton
117	PRCB 193D	19	10	220
118	PRCB 203D	20	10	220
119	PRCB 253D	25	10	220
120	PRCB 323D	32	10	160



DEEP CIRCULAR BOX - INTERSECTION (4 WAY)

SR NO	PRODUCT CODE	SIZE - OD (mm)	STANDARD PACK	
			Pc/Box	Pc/Carton
121	PRCB 194D	19	10	220
122	PRCB 204D	20	10	220
123	PRCB 254D	25	10	220
124	PRCB 324D	32	10	160

ROUND CONDUIT uPVC PIPE FITTINGS

COLOUR: BLACK / GREY / IVORY / WHITE

CIRCULAR BOX WITHOUT LID



CIRCULAR BOX BRANCH - 2 WAY (U)

SR NO	PRODUCT CODE	SIZE - OD (mm)	STANDARD PACK	
			Pc/Box	Pc/Carton
125	PRCB 20U	20	20	400
126	PRCB 25U	25	20	400



CIRCULAR BOX BRANCH - 3 WAY (Y)

SR NO	PRODUCT CODE	SIZE - OD (mm)	STANDARD PACK	
			Pc/Box	Pc/Carton
127	PRCB 20Y	20	20	400
128	PRCB 25Y	25	15	300



CIRCULAR BOX BRANCH - 4 WAY (H)

SR NO	PRODUCT CODE	SIZE - OD (mm)	STANDARD PACK	
			Pc/Box	Pc/Carton
129	PRCB 20H	20	15	300
130	PRCB 25H	25	15	300



CIRCULAR BOX BACK OUTLET TERMINAL (1 WAY)

SR NO	PRODUCT CODE	SIZE - OD (mm)	STANDARD PACK	
			Pc/Box	Pc/Carton
131	PRCB 201 BO	20	20	400
132	PRCB 251 BO	25	15	300



CIRCULAR BOX BACK OUTLET THROUGH (2 WAY)

SR NO	PRODUCT CODE	SIZE - OD (mm)	STANDARD PACK	
			Pc/Box	Pc/Carton
133	PRCB 202S BO	20	20	400
134	PRCB 252S BO	25	15	300

ROUND CONDUIT uPVC PIPE FITTINGS

COLOUR: BLACK / GREY / IVORY / WHITE

CIRCULAR BOX WITHOUT LID



CIRCULAR BOX BACK OUTLET ANGLE (2 WAY)

SR NO	PRODUCT CODE	SIZE - OD (mm)	STANDARD PACK	
			Pc/Box	Pc/Carton
135	PRCB 202A BO	20	20	400
136	PRCB 252A BO	25	15	300



CIRCULAR BOX BACK OUTLET TEE (3 WAY)

SR NO	PRODUCT CODE	SIZE - OD (mm)	STANDARD PACK	
			Pc/Box	Pc/Carton
137	PRCB 203 BO	20	20	400
138	PRCB 253 BO	25	15	300



CIRCULAR LID (WITH SCREW)

SR NO	PRODUCT CODE	SIZE - OD (mm)	STANDARD PACK	
			Pc/Box	Pc/Carton
139	PRCL 65 #	65	100	2000
140	PRCL 80 *	80	100	2000
141	PRCL 85	85	100	2000
142	PRCL 90	90	100	1800
143	PRCL 93 ~	93	25	750
144	PRCL 110	110	50	900



CIRCULAR LID (WITHOUT SCREW)

SR NO	PRODUCT CODE	SIZE - OD (mm)	STANDARD PACK	
			Pc/Box	Pc/Carton
145	PRCL65WS #	65	100	2000
146	PRCL80WS *	80	100	2000
147	PRCL85WS	85	100	2000
148	PRCL90WS	90	100	1800
149	PRCL93WS ~	93	25	750
150	PRCL110WS	110	50	900

#65 - For 19/20/25mm JB, DJB & 32 DJB

*80 - For 32/40mm JB

~93 - For 50 mm JB

ROUND CONDUIT uPVC PIPE FITTINGS

COLOUR: BLACK / GREY / IVORY / WHITE

CIRCULAR BOX WITH LID & SCREW

CIRCULAR BOX - TERMINAL (1 WAY)



SR NO	PRODUCT CODE	SIZE - OD (mm)	STANDARD PACK	
			Pc/Box	Pc/Carton
151	PRCB 191L	19	20	600
152	PRCB 201L	20	20	600
153	PRCB 251L	25	15	450
154	PRCB 321L	32	10	160
155	PRCB 401L	40	10	160
156	PRCB 501L	50	5	80

CIRCULAR BOX - ANGLE (2 WAY)



SR NO	PRODUCT CODE	SIZE - OD (mm)	STANDARD PACK	
			Pc/Box	Pc/Carton
157	PRCB 192AL	19	20	400
158	PRCB 202AL	20	20	400
159	PRCB 252AL	25	15	300
160	PRCB 322AL	32	10	160
161	PRCB 402AL	40	10	160
162	PRCB 502AL	50	5	80

CIRCULAR BOX - THROUGH (2 WAY)



SR NO	PRODUCT CODE	SIZE - OD (mm)	STANDARD PACK	
			Pc/Box	Pc/Carton
163	PRCB 192SL	19	20	400
164	PRCB 202SL	20	20	400
165	PRCB 252SL	25	15	300
166	PRCB 322SL	32	10	160
167	PRCB 402SL	40	10	160
168	PRCB 502SL	50	5	80

CIRCULAR BOX - TEE (3 WAY)



SR NO	PRODUCT CODE	SIZE - OD (mm)	STANDARD PACK	
			Pc/Box	Pc/Carton
169	PRCB 193L	19	20	400
170	PRCB 203L	20	20	400
171	PRCB 253L	25	15	300
172	PRCB 323L	32	5	110
173	PRCB 403L	40	5	110
174	PRCB 503L	50	5	80

CIRCULAR BOX - INTERSECTION (4 WAY)



SR NO	PRODUCT CODE	SIZE - OD (mm)	STANDARD PACK	
			Pc/Box	Pc/Carton
175	PRCB 194L	19	20	320
176	PRCB 204L	20	20	320
177	PRCB 254L	25	15	240
178	PRCB 324L	32	5	110
179	PRCB 404L	40	5	110
180	PRCB 504L	50	5	80

ROUND CONDUIT uPVC PIPE FITTINGS

COLOUR: BLACK / GREY / IVORY / WHITE

CIRCULAR BOX WITH LID & SCREW



DEEP CIRCULAR BOX - TERMINAL (1 WAY)

SR NO	PRODUCT CODE	SIZE - OD (mm)	STANDARD PACK	
			Pc/Box	Pc/Carton
181	PRCB 191DL	19	10	280
182	PRCB 201DL	20	10	280
183	PRCB 251DL	25	10	280
184	PRCB 321DL	32	10	280



DEEP CIRCULAR BOX - ANGLE (2 WAY)

SR NO	PRODUCT CODE	SIZE - OD (mm)	STANDARD PACK	
			Pc/Box	Pc/Carton
185	PRCB 192ADL	19	10	280
186	PRCB 202ADL	20	10	280
187	PRCB 252ADL	25	10	280
188	PRCB 322ADL	32	10	280



DEEP CIRCULAR BOX - THROUGH (2 WAY)

SR NO	PRODUCT CODE	SIZE - OD (mm)	STANDARD PACK	
			Pc/Box	Pc/Carton
189	PRCB 192SDL	19	10	200
190	PRCB 202SDL	20	10	200
191	PRCB 252SDL	25	10	200
192	PRCB 322SDL	32	10	200



DEEP CIRCULAR BOX - TEE (3 WAY)

SR NO	PRODUCT CODE	SIZE - OD (mm)	STANDARD PACK	
			Pc/Box	Pc/Carton
193	PRCB 193DL	19	10	220
194	PRCB 203DL	20	10	220
195	PRCB 253DL	25	10	220
196	PRCB 323DL	32	10	160



DEEP CIRCULAR BOX - INTERSECTION (4 WAY)

SR NO	PRODUCT CODE	SIZE - OD (mm)	STANDARD PACK	
			Pc/Box	Pc/Carton
197	PRCB 194DL	19	10	220
198	PRCB 204DL	20	10	220
199	PRCB 254DL	25	10	220
200	PRCB 324DL	32	10	160

ROUND CONDUIT uPVC PIPE FITTINGS

COLOUR: BLACK / GREY / IVORY / WHITE

CIRCULAR BOX WITH LID & SCREW

CIRCULAR BOX BRANCH - 2 WAY (U)



SR NO	PRODUCT CODE	SIZE - OD (mm)	STANDARD PACK	
			Pc/Box	Pc/Carton
201	PRCB 20UL	20	20	400
202	PRCB 25UL	25	20	400

CIRCULAR BOX BRANCH - 3 WAY (Y)



SR NO	PRODUCT CODE	SIZE - OD (mm)	STANDARD PACK	
			Pc/Box	Pc/Carton
203	PRCB 20YL	20	15	300
204	PRCB 25YL	25	15	300

CIRCULAR BOX BRANCH - 4 WAY (H)



SR NO	PRODUCT CODE	SIZE - OD (mm)	STANDARD PACK	
			Pc/Box	Pc/Carton
205	PRCB 20HL	20	15	300
206	PRCB 25HL	25	15	300

CIRCULAR BOX BACK OUTLET TERMINAL (1 WAY)



SR NO	PRODUCT CODE	SIZE - OD (mm)	STANDARD PACK	
			Pc/Box	Pc/Carton
207	PRCB 201 BOL	20	20	400
208	PRCB 251 BOL	25	15	300

CIRCULAR BOX BACK OUTLET THROUGH (2 WAY)



SR NO	PRODUCT CODE	SIZE - OD (mm)	STANDARD PACK	
			Pc/Box	Pc/Carton
209	PRCB 202S BOL	20	15	300
210	PRCB 252S BOL	25	15	240

ROUND CONDUIT uPVC PIPE FITTINGS

COLOUR: BLACK / GREY / IVORY / WHITE

CIRCULAR BOX WITH LID & SCREW



CIRCULAR BOX BACK OUTLET ANGLE (2 WAY)

SR NO	PRODUCT CODE	SIZE - OD (mm)	STANDARD PACK	
			Pc/Box	Pc/Carton
211	PRCB 202A BOL	20	15	300
212	PRCB 252A BOL	25	15	240



CIRCULAR BOX BACK OUTLET TEE (3 WAY)

SR NO	PRODUCT CODE	SIZE - OD (mm)	STANDARD PACK	
			Pc/Box	Pc/Carton
213	PRCB 203 BOL	20	15	300
214	PRCB 253 BOL	25	15	240



CIRCULAR EXTENSION RING

SR NO	PRODUCT CODE	SIZE - OD (mm)	STANDARD PACK	
			Pc/Box	Pc/Carton
215	PRER 20	20	50	800
216	PRER 25	25	40	640



LOOP IN BOX

SR NO	PRODUCT CODE	SIZE - OD (mm)	STANDARD PACK	
			Pc/Box	Pc/Carton
217	PRLB 20	20	20	400



LOOP IN BOX EXTENSION

SR NO	PRODUCT CODE	SIZE - OD (mm)	STANDARD PACK	
			Pc/Box	Pc/Carton
218	PRLB 20E	20	24	384

ROUND CONDUIT uPVC PIPE FITTINGS

COLOUR: BLACK / GREY / IVORY / WHITE

COUPLER



SR NO	PRODUCT CODE	SIZE - OD (mm)	STANDARD PACK	
			Pc/Box	Pc/Carton
219	PCR 19	19	100	2000
220	PCR 20	20	100	2000
221	PCR 20L	20 Long	150	2400
222	PCR 25	25	100	2000
223	PCR 32	32	60	960
224	PCR 38	38	30	480
225	PCR 40	40	30	480
226	PCR 50	50	20	320



REDUCER COUPLER (PIPE TO FITTING)

SR NO	PRODUCT CODE	SIZE - OD (mm)	STANDARD PACK	
			Pc/Box	Pc/Carton
227	PRR 1	25 > 20	250	4000



REDUCER COUPLER (PIPE TO PIPE)

SR NO	PRODUCT CODE	SIZE - OD (mm)	STANDARD PACK	
			Pc/Box	Pc/Carton
228	PRR 2520	25 > 20	75	1500
229	PRR 3220	32 > 20	60	1200
230	PRR 3225	32 > 25	40	800
231	PRR 4020	40 > 20	48	960
232	PRR 4032	40 > 32	32	640
233	PRR 5032	50 > 32	30	480
234	PRR 5040	50 > 40	30	480

SLIP TYPE BEND



SR NO	PRODUCT CODE	SIZE - OD (mm)	STANDARD PACK	
			Pc/Box	Pc/Carton
235	PRBN 19	19	65	1040
236	PRBN 20	20	65	1040
237	PRBN 25	25	35	560
238	PRBN 32	32	20	320
239	PRBN 38	38	10	160
240	PRBN 40	40	10	160
241	PRBN 50	50	5	80
242	PRBN 63	63	-	50

ROUND CONDUIT uPVC PIPE FITTINGS

COLOUR: BLACK / GREY / IVORY / WHITE

SLIP TYPE LONG BEND



SR NO	PRODUCT CODE	SIZE - OD (mm)	STANDARD PACK	
			Pc/Box	Pc/Carton
243	PRBL 19	19	45	720
244	PRBL 20	20	45	720
245	PRBL 25	25	20	320
246	PRBL 32	32	10	160
247	PRBL 38	38	-	100
248	PRBL 40	40	-	80
249	PRBL 50	50	-	55

SPACE BAR SADDLE



SR NO	PRODUCT CODE	SIZE - OD (mm)	STANDARD PACK	
			Pc/Box	Pc/Carton
250	PRBS19	19	100	2000
251	PRBS 20	20	100	2000
252	PRBS 25	25	100	2000
253	PRBS 32	32	100	1600
254	PRBS 38	38	80	1280
255	PRBS 40	40	80	1280
256	PRBS 50	50	60	960
257	PRBS 63	63	-	50

SADDLE STRAP



SR NO	PRODUCT CODE	SIZE - OD (mm)	STANDARD PACK	
			Pc/Box	Pc/Carton
258	PRSS19	19	100	2000
259	PRSS 20	20	100	2000
260	PRSS 25	25	100	2000
261	PRSS 32	32	100	1600
262	PRSS 38	38	80	1280
263	PRSS 40	40	80	1280
264	PRSS 50	50	60	960



ROUND 'U' CLIP

SR NO	PRODUCT CODE	SIZE - OD (mm)	STANDARD PACK	
			Pc/Box	Pc/Carton
265	PRUC 20	20	200	4000

ROUND CONDUIT uPVC PIPE FITTINGS

COLOUR: BLACK / GREY / IVORY / WHITE



END CAP

SR NO	PRODUCT CODE	SIZE - OD (mm)	STANDARD PACK	
			Pc/Box	Pc/Carton
266	PREC 20	20	150	3000
267	PREC 25	25	100	2000
268	PREC 32	32	70	1400
269	PREC 40	40	32	640
270	PREC 50	50	24	480



MALE BUSH ADAPTOR

SR NO	PRODUCT CODE	SIZE - OD (mm)	STANDARD PACK	
			Pc/Box	Pc/Carton
271	PMBA 20	20	100	2000
272	PMBA 25	25	100	2000



FEMALE BUSH ADAPTOR

SR NO	PRODUCT CODE	SIZE - OD (mm)	STANDARD PACK	
			Pc/Box	Pc/Carton
273	PFBA 19	19	100	2000
274	PFBA 20	20	100	2000
275	PFBA 25	25	100	2000
276	PFBA 32	32	75	1200
277	PFBA 38	38	50	800
278	PFBA 40	40	50	800
279	PFBA 50	50	25	400



ROUND ELBOW

SR NO	PRODUCT CODE	SIZE - OD (mm)	STANDARD PACK	
			Pc/Box	Pc/Carton
280	PRE 20	20	125	2500
281	PRE 25	25	75	1200
282	PRE 32	32	20	400
283	PRE 40	40	15	300
284	PRE 50	50	10	200



ROUND TEE

SR NO	PRODUCT CODE	SIZE - OD (mm)	STANDARD PACK	
			Pc/Box	Pc/Carton
285	PRT 20	20	50	1500
286	PRT 25	25	50	800
287	PRT 32	32	15	300
288	PRT 40	40	10	200
289	PRT 50	50	10	160

ROUND CONDUIT uPVC PIPE FITTINGS

COLOUR: BLACK / GREY / IVORY / WHITE



INSPECTION ELBOW

SR NO	PRODUCT CODE	SIZE - OD (mm)	STANDARD PACK	
			Pc/Box	Pc/Carton
290	PIE 20	20	20	600
291	PIE 25	25	20	400



INSPECTION TEE

SR NO	PRODUCT CODE	SIZE - OD (mm)	STANDARD PACK	
			Pc/Box	Pc/Carton
292	PIT 20	20	20	600
293	PIT 25	25	20	400



INSPECTION BEND

SR NO	PRODUCT CODE	SIZE - OD (mm)	STANDARD PACK	
			Pc/Box	Pc/Carton
294	PIB 20	20	20	600
295	PIB 25	25	20	400



ADAPTABLE BOX WITH LID

SR NO	PRODUCT CODE	SIZE - W x H (mm)	STANDARD PACK	
			Pc/Box	Pc/Carton
296	PAB 75L *	3" X 3" X 2" 75 X 75 X 50	10	200
297	PAB 110L #	4" X 4" X 3" 110 X 110 X 75	-	100
298	PAB 160L	6" X 4" X 3" 160 X 110 X 75	-	75
299	PAB 160SL	6" X 6" X 3" 160 X 160 X 75	-	50
300	PAB 225SL	9" X 9" X 3" 225 X 225 X 75	-	20
301	PAB 300SL	12" X 12" X 4" 300 X 300 X 110	-	5



SURFACE SWITCH BOX

SR NO	PRODUCT CODE	SIZE - W x H (inch)	STANDARD PACK	
			Pc/Box	Pc/Carton
302	PSB 1	3" x 3"	10	300
303	PSB 2	6" x 3"	10	200

* 32/38/40mm Knockout Available
50mm Knockout Available

ROUND CONDUIT uPVC PIPE FITTINGS

COLOUR: BLACK / GREY / IVORY / WHITE



SWITCH BOX LID

SR NO	PRODUCT CODE	SIZE - W x H (inch)	STANDARD PACK	
			Pc/Box	Pc/Carton
304	PSBL1 LID	3" x 3"	50	1500
305	PSBL2 LID	6" x 3"	25	750



FLUSH MOUNTED - SWITCH BOX

SR NO	PRODUCT CODE	SIZE - W x H (inch)	STANDARD PACK	
			Pc/Box	Pc/Carton
306	PFSB 1	3" x 3" x 2.5"	10	200
307	PFSB 2	6" x 3" x 2.5"	10	160



FAN BOX

SR NO	PRODUCT CODE	SIZE - OD (mm)	STANDARD PACK	
			Pc/Box	Pc/Carton
308	PRFB 20	20 Standard	10	220
309	PRFB 25	25 Standard	10	220
310	PRFB 20SL	20 Large	10	140
311	PRFB 25SL	25 Large	10	140
312	PRFBRD2025	20/25 With Rod	1	28
313	PRFBRD25	25 With Rod	1	28



METAL FAN BOX (WITH ROD)

SR NO	PRODUCT CODE	SIZE - OD (mm)	STANDARD PACK	
			Pc/Box	Pc/Bag
314	PMFB 2025	20/25		50



uPVC SOLVENT CEMENT

SR NO	PRODUCT CODE	SIZE - (ml)	STANDARD PACK	
			Pc/Box	Pc/Carton
315	PSC 250ML	250ml	24	96
316	PSC 500ML	500ml	12	48
317	PSC 1L	1L	6	24
318	PSC 5L	5L	-	6

OVAL CONDUIT uPVC PIPES

COLOUR: WHITE LENGTH: 2 MTR



OVAL CONDUIT uPVC PIPES

SR NO	PRODUCT CODE	SIZE - OD (mm)	STANDARD PACK	
			Pc x Mtr	Mtr/Bundle
319	POC 16	16	200 x 2m	400
320	POC 20	20	200 x 2m	400
321	POC 25	25	100 x 2m	200

OVAL CONDUIT uPVC PIPE FITTINGS

COLOUR: WHITE



OVAL CONNECTOR

SR NO	PRODUCT CODE	SIZE - OD (mm)	STANDARD PACK
			Pc/Box
322	POCT 16	16	100
323	POCT 20	20	50
324	POCT 25	25	50



OVAL ELBOW

SR NO	PRODUCT CODE	SIZE - OD (mm)	STANDARD PACK
			Pc/Box
325	POE 16	16	100
326	POE 20	20	75
327	POE 25	25	50



OVAL TEE

SR NO	PRODUCT CODE	SIZE - OD (mm)	STANDARD PACK
			Pc/Box
328	POT 16	16	100
329	POT 20	20	50
330	POT 25	25	40



OVAL INTERNAL BEND

SR NO	PRODUCT CODE	SIZE - OD (mm)	STANDARD PACK
			Pc/Box
331	POIB 16	16	100
332	POIB 20	20	50
333	POIB 25	25	25

OVAL CONDUIT uPVC PIPE FITTINGS

COLOUR: WHITE



OVAL EXTERNAL BEND

SR NO	PRODUCT CODE	SIZE - OD (mm)	STANDARD PACK
			Pc/Box
334	POEB 16	16	100
335	POEB 20	20	50
336	POEB 25	25	25



OVAL SADDLE STRAP

SR NO	PRODUCT CODE	SIZE - OD (mm)	STANDARD PACK
			Pc/Box
337	POSS 16	16	100
338	POSS 20	20	100
339	POSS 25	25	100



OVAL SADDLE STRAP BASE

SR NO	PRODUCT CODE	SIZE - OD (mm)	STANDARD PACK
			Pc/Box
340	POB	Standard	100



OVAL 'U' CLIP

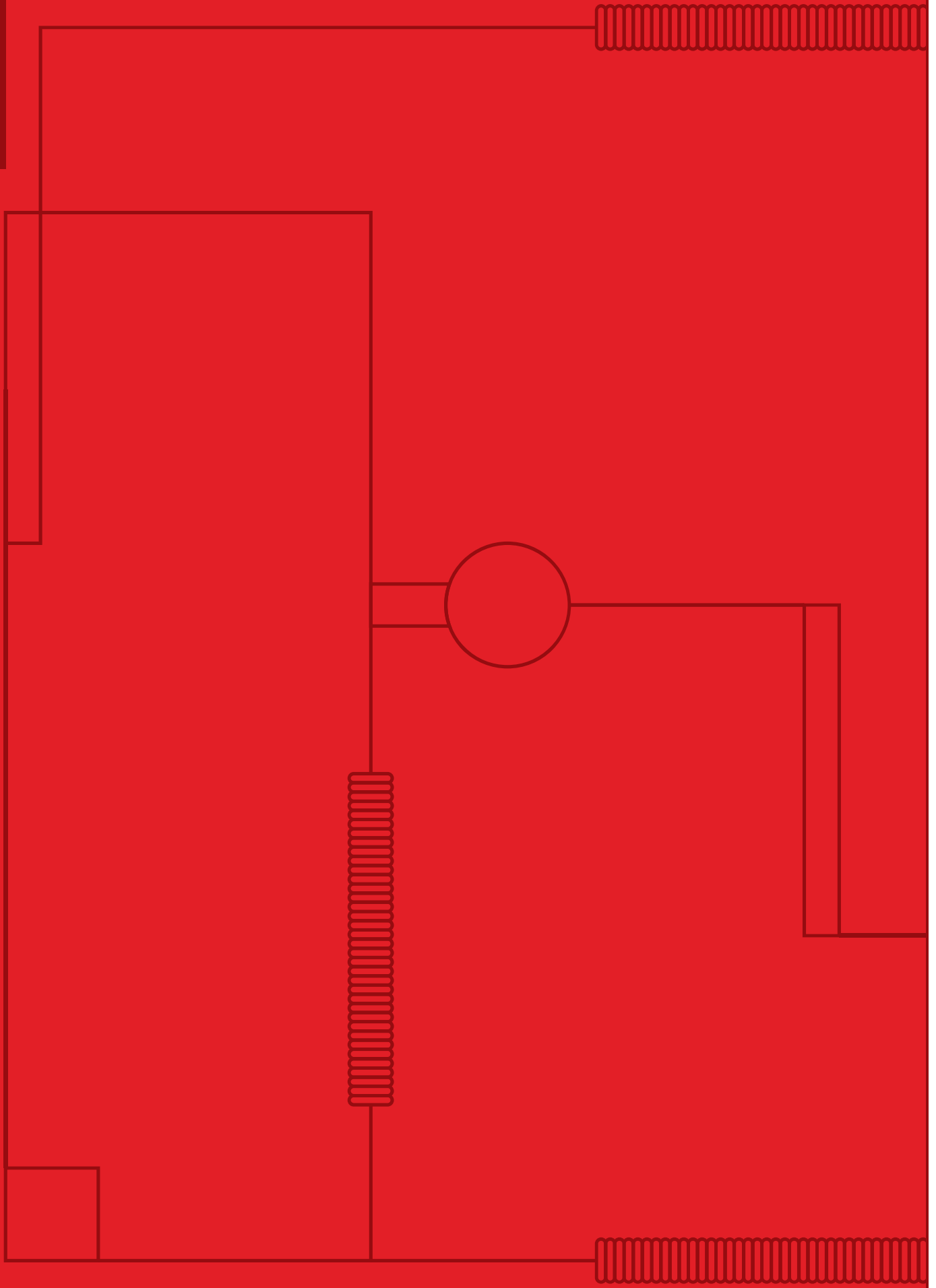
SR NO	PRODUCT CODE	SIZE - OD (mm)	STANDARD PACK
			Pc/Box
341	POU 16	16	200
342	POU 20	20	150
343	POU 25	25	150



OVAL TO ROUND ADAPTOR

SR NO	PRODUCT CODE	SIZE - OD (mm)	STANDARD PACK
			Pc/Box
344	PORA 16	16	100
345	PORA 20	20	50
346	PORA 25	25	25





CORRUGATED FLEXIBLE CONDUIT AND FITTINGS

27

Precision Corrugated Flexible Conduit Pipes come in a wide and comprehensive range of material variants to suit variety of applications. These conduits are manufactured in slit and non-slit variants based on the final application for wiring purposes.

Polypropylene Flexible Conduits are the best solution for applications where resistance to constant flexing and vibration is essential. These conduits display excellent flexibility, moreover, they are light weight and easy to install which makes them very popular. Temperature resistant from -5°C to +90°C.

Fire Retardant Polypropylene Flexible Conduits are self extinguishing. These conduits are manufactured from UL94 V2 rated material, ideally suited for automobile applications, wire harnessing, electrical wiring, cable protection and envelope to LPG gas conductors. Temperature resistant from -5°C to +90°C.

Polyamide Flexible Conduits are manufactured from flame retardant and self extinguishing (PA6) material, making them suitable for high temperature zones where human life or components are at risk, high resistance to corrosion by most mineral oils, acids and alkalis. They are widely used in automobile applications and have temperature resistance upto +120°C. Also available in slit type.

Steel Wire Reinforced Flexible uPVC Conduits are manufactured with soft polyvinyl chloride (uPVC) wall fused to high tensile steel wire in a coiled state. These conduits are unaffected by inorganic acid, alkali, saline water. Most suitable for electrical wiring in building, switch boards, panels, machinery, dust collectors, air dusting, exhaust of fumes, shrouds of railway coach wiring and hospital equipments. Temperature resistant from -5°C to +60°C.

Colours

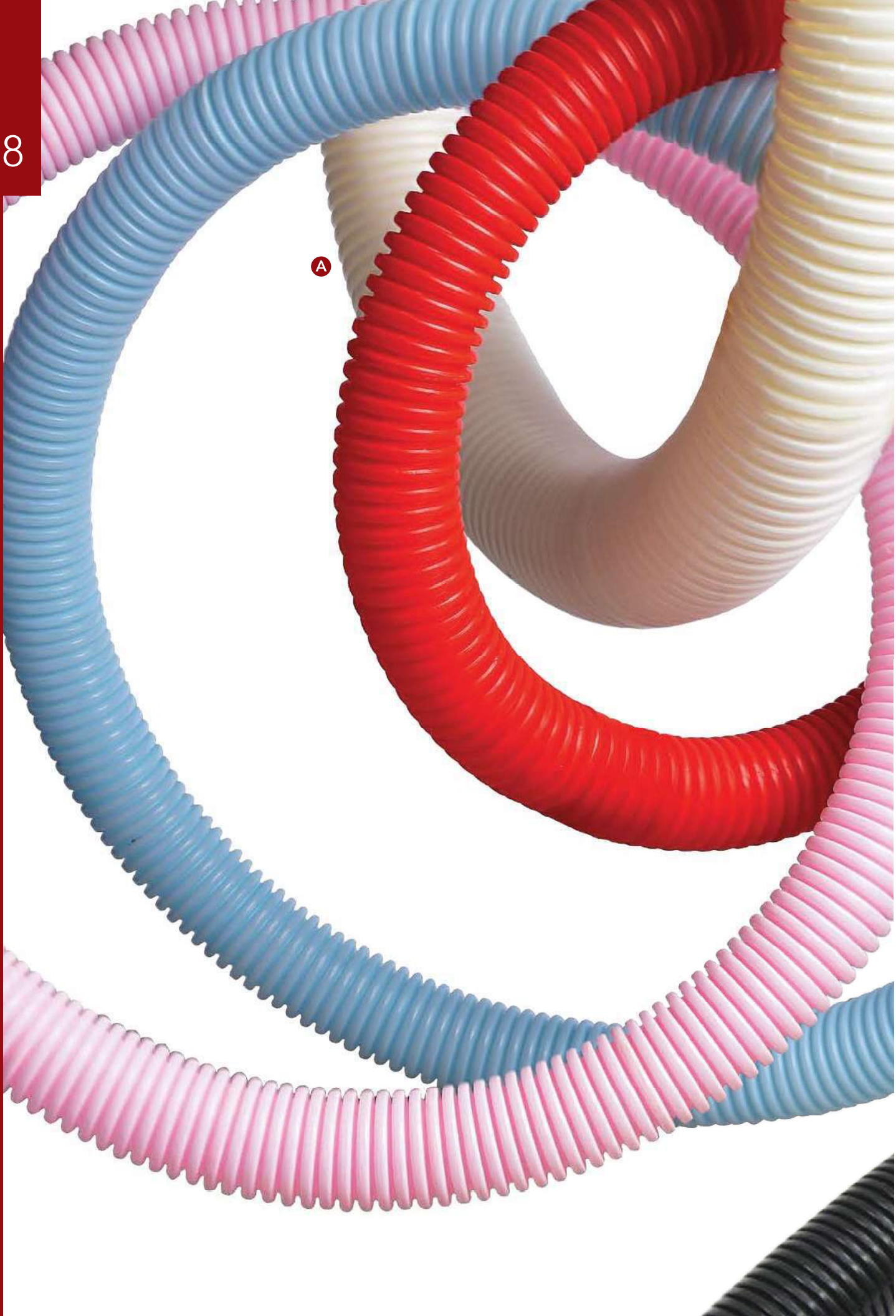
Black, Grey, Ivory and White.



Red, Green, Blue and Yellow are available on request.



A



CORRUGATED FLEXIBLE CONDUIT PIPES ^A

COLOUR: BLACK / GREY / IVORY / WHITE

29

(PP) POLY PROPYLENE

SR NO	PRODUCT CODE	SIZE OD (mm)	STANDARD PACK	
			Mtr/Coil	Mtr/Bag
347	PCFC 10	10	100	1000
348	PCFC 16	16	50	500
349	PCFC 20	20	50	500
350	PCFC 25	25	25	250
351	PCFC 32	32	25	250
352	PCFC 40	40	20	100
353	PCFC 50	50	15	75
354	PCFC 63	63	10	50

FRPP (FIRE RETARDANT POLY PROPYLENE)

SR NO	PRODUCT CODE	SIZE OD (mm)	STANDARD PACK	
			Mtr/Coil	Mtr/Bag
355	PCFR 10	10	100	1000
356	PCFR 16	16	50	500
357	PCFR 20	20	50	500
358	PCFR 25	25	25	250
359	PCFR 32	32	25	250
360	PCFR 40	40	20	100
361	PCFR 50	50	15	75
362	PCFR 63	63	10	50

CORRUGATED FLEXIBLE CONDUIT PIPES (SLITTED) ^B

COLOUR: BLACK / GREY / IVORY / WHITE

(PP) POLY PROPYLENE

SR NO	PRODUCT CODE	SIZE OD (mm)	STANDARD PACK	
			Mtr/Coil	Mtr/Bag
363	PCFC 10 S	10	100	1000
364	PCFC 16 S	16	50	500
365	PCFC 20 S	20	50	500
366	PCFC 25 S	25	25	250
367	PCFC 32 S	32	25	250
368	PCFC 40 S	40	20	100
369	PCFC 50 S	50	15	75
370	PCFC 63 S	63	10	50

FRPP (FIRE RETARDANT POLY PROPYLENE)

SR NO	PRODUCT CODE	SIZE OD (mm)	STANDARD PACK	
			Mtr/Coil	Mtr/Bag
371	PCFR 10 S	10	100	1000
372	PCFR 16 S	16	50	500
373	PCFR 20 S	20	50	500
374	PCFR 25 S	25	25	250
375	PCFR 32 S	32	25	250
376	PCFR 40 S	40	20	100
377	PCFR 50 S	50	15	75
378	PCFR 63 S	63	10	50



CORRUGATED FLEXIBLE CONDUIT PIPE FITTINGS

COLOUR: BLACK / GREY

CORRUGATED FLEXIBLE CONDUIT GLAND



SR NO	PRODUCT CODE	SIZE - OD (mm)	STANDARD PACK	
			Pc/Box	Pc/Carton
379	PFAG 16	16	125	2250
380	PFAG 20	20	75	1350
381	PFAG 25	25	50	900
382	PFAG 32	32	30	540
383	PFAG 40	40	20	360
384	PFAG 50	50	5	150

CORRUGATED FLEXIBLE CONDUIT PIPES

COLOUR: BLACK

NYLON (POLYAMIDE)



SR NO	PRODUCT CODE	SIZE - OD (mm)	STANDARD PACK	
			Mtr/Coil	Mtr/Bag
385	PCPA 10	10	100	1000
386	PCPA 16	16	50	250
387	PCPA 20	20	50	250
388	PCPA 25	25	25	125
389	PCPA 32	32	25	125
390	PCPA 40	40	20	100
391	PCPA 50	50	15	75
392	PCPA 63	63	10	50



STEEL WIRE REINFORCED FLEXIBLE uPVC CONDUIT PIPES

COLOUR: GREY

31

STEEL WIRE REINFORCED FLEXIBLE uPVC CONDUIT PIPES



SR NO	PRODUCT CODE	SIZE - ID (mm)	STANDARD PACK	
			Mtr/Coil	Mtr/Bag
393	PCWR 10	10	30	300
394	PCWR 16	16	30	300
395	PCWR 20	20	30	240
396	PCWR 25	25	30	210
397	PCWR 30	30	30	150
398	PCWR 40	40	30	120
399	PCWR 50	50	30	90
400	PCWR 60	60	15	75

STEEL WIRE REINFORCED FLEXIBLE uPVC CONDUIT PIPE FITTINGS

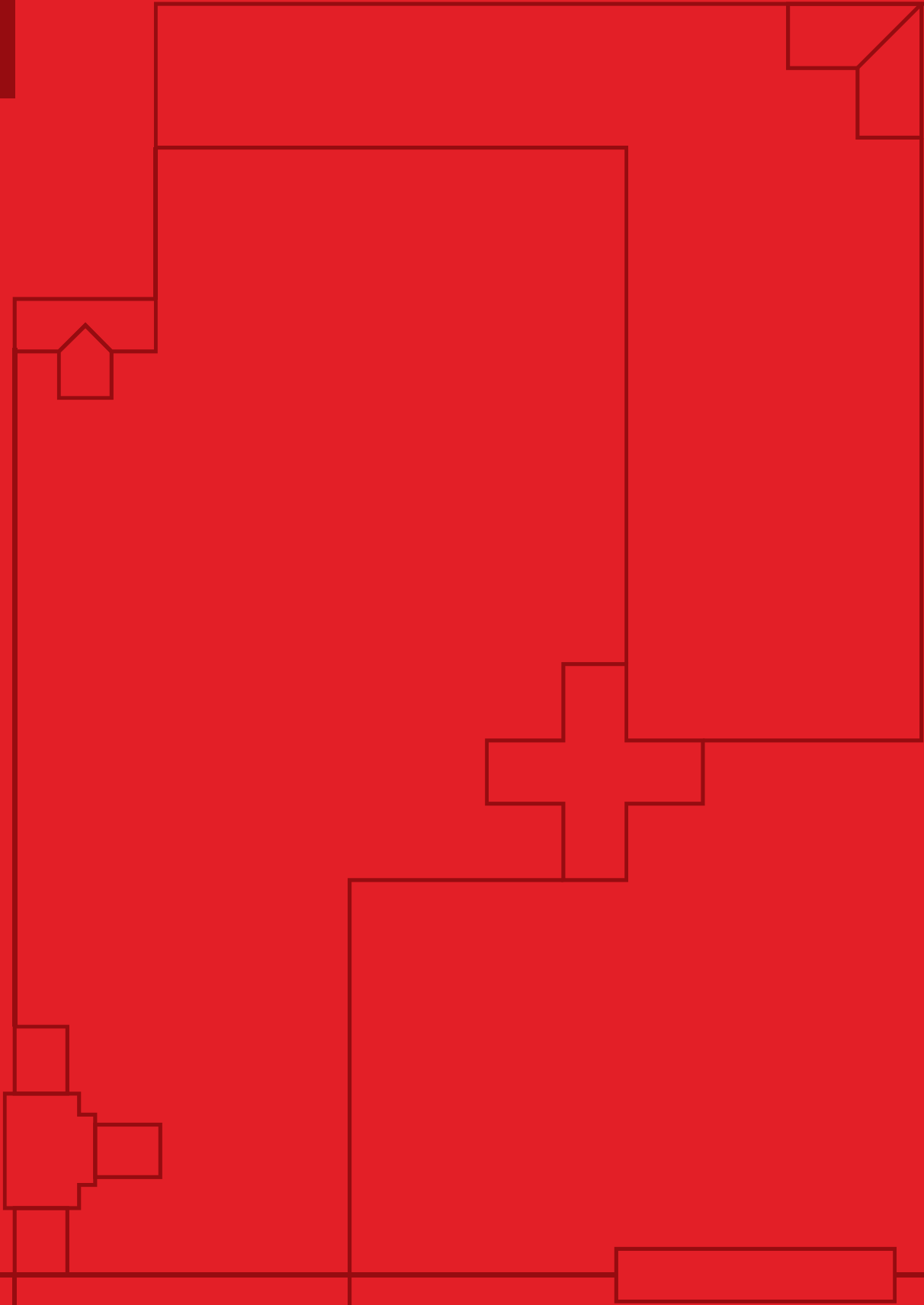
COLOUR: GREY

STEEL WIRE REINFORCED FLEXIBLE uPVC CONDUIT GLAND



SR NO	PRODUCT CODE	SIZE - OD (mm)	STANDARD PACK	
			Pc/Box	Pc/Carton
401	PFRG 10	10	75	1350
402	PFRG 16	16	60	1080
403	PFRG 20	20	45	810
404	PFRG 25	25	30	540
405	PFRG 30	30	20	360
406	PFRG 40	40	15	270
407	PFRG 50	50	5	150





uPVC MINI/MAXI TRUNKING PROFILE AND FITTINGS

Precision uPVC Mini/Maxi Trunking Profile and Fittings are manufactured from high impact unplasticised polyvinyl chloride (uPVC) grade material capable of withstanding the most hazardous conditions on-site and exceeds the most stringent requirements of Indian and International standards. The product range brings a whole new world of sophistication and convenience to home, office and commercial establishments and is in accordance with Indian Standards **IS 14927-Part 2** and **BS EN 50085-2-1**. Mini Trunking Profile are also available with self fixing tape for instant and easy installation. Clip on lid provides security while allowing easy maintenance.

Precision Maxi Trunking Profile Cable Management System is designed for convenience and safety with compartments for separate wiring applications. Maxi Trunking Profile fittings are available in moulded and fabricated form, thus adding a sleek touch to your interiors.

Application

To organise and protect cables on surface.

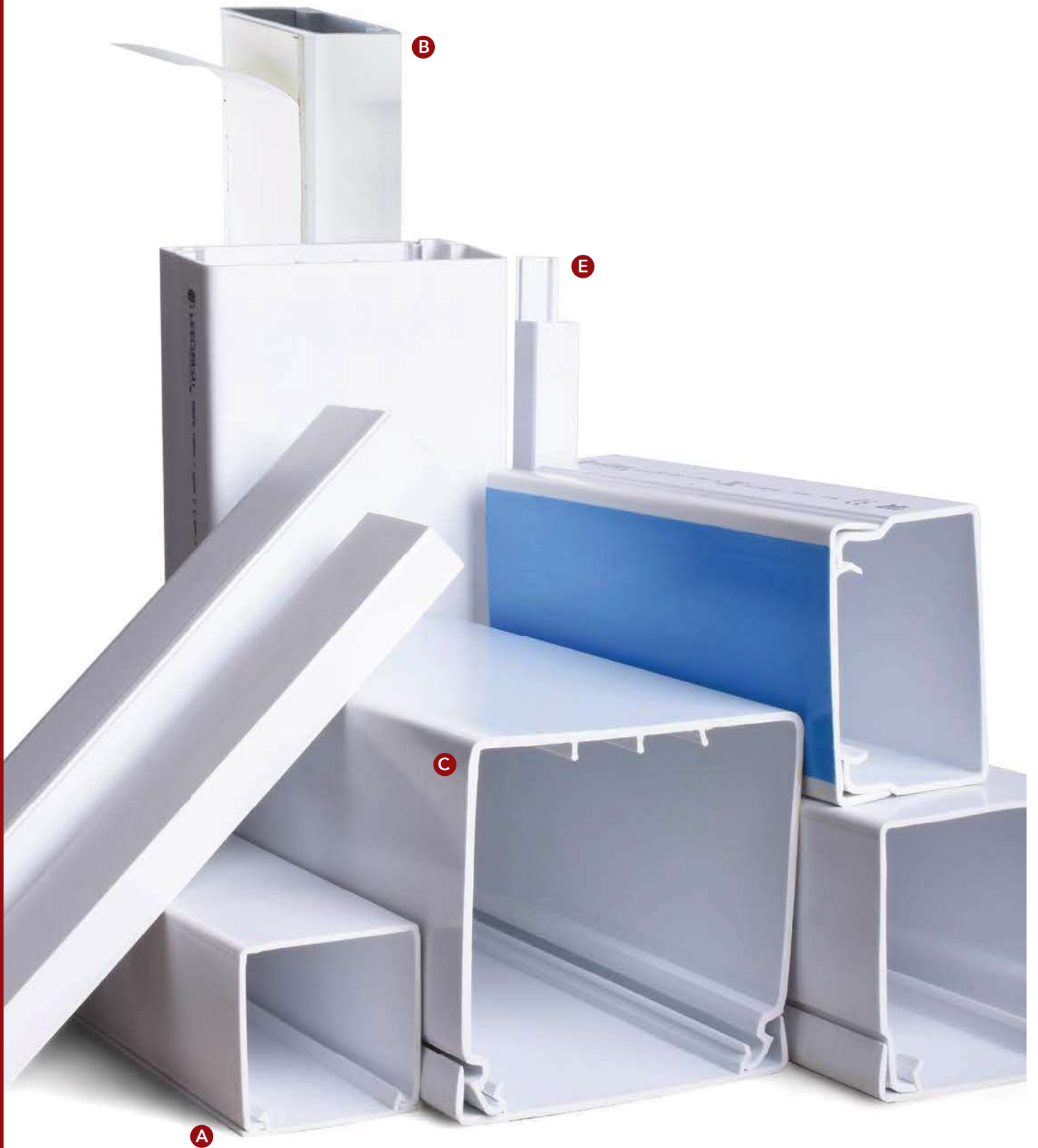
Features

- Fast installation and easy maintenance.
- Secure and elegant look.
- Wide range of sizes to suit all cabling requirements.
- Durable and impact resistant.
- Fire retardant.
- Corrosion free.
- Thermal resistant from -5°C to +60°C.

Colours

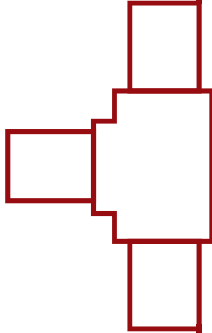
Ivory and White.





uPVC MINI/MAXI TRUNKING PROFILE

COLOUR: IVORY / WHITE



uPVC MINI TRUNKING PROFILE				
SR NO	PRODUCT CODE	SIZE - W x H (mm)	STANDARD PACK	
			Pc x Mtr	Mtr/Bundle
408	PT 2012	20 x 12	100 x 2m	200
409	PT 2512	25 x 12	100 x 2m	200
410	PT 3212	32 x 12	100 x 2m	200
411	PT 1616	16 x 16	100 x 2m	200
412	PT 2516	25 x 16	100 x 2m	200
413	PT 3816	38 x 16	30 x 2m	60
414	PT 3825	38 x 25	50 x 2m	100
415	PT 3838	38 x 38	25 x 2m	50
416	PT 5016	50 x 16	30 x 2m	60
417	PT 5050	50 x 50	20 x 2m	40

A

uPVC MINI TRUNKING PROFILE (SELF ADHESIVE)				
SR NO	PRODUCT CODE	SIZE - W x H (mm)	STANDARD PACK	
			Pc x Mtr	Mtr/Bundle
418	PTS 1616	16 x 16	100 x 2m	200
419	PTS 2516	25 x 16	100 x 2m	200
420	PTS 3816	38 x 16	30 x 2m	60
421	PTS 3825	38 x 25	50 x 2m	100

B

uPVC MAXI TRUNKING PROFILE				
SR NO	PRODUCT CODE	SIZE - W x H (mm)	STANDARD PACK	
			Pc x Mtr	Mtr/Bundle
422	PT 7550	75 x 50	12 x 2m	24
423	PT 7575	75 x 75	9 x 2m	18
424	PT 10050	100 x 50	10 x 2m	20
425	PT 100100	100 x 100	6 x 2m	12
426	PT 15050	150 x 50	5 x 2m	10

C

uPVC MAXI TRUNKING PROFILE DIVIDER				
SR NO	PRODUCT CODE	SIZE - W x H (mm)	STANDARD PACK	
			Pc x Mtr	Mtr/Bundle
427	PMTD *	Standard	50 x 2m	100

D

RECTANGULAR CHANNEL PROFILE				
SR NO	PRODUCT CODE	SIZE - W x H (mm)	STANDARD PACK	
			Pc x Mtr	Mtr/Bundle
428	PCH 13	13 x 9	50 x 2m	100
429	PCH 25	25 x 9	50 x 2m	100
430	PCH 38	38 x 9	50 x 2m	100

E

* For 100 x 50



D

uPVC MINI/MAXI TRUNKING PROFILE FITTINGS (MOULDED)

COLOUR: IVORY / WHITE

36



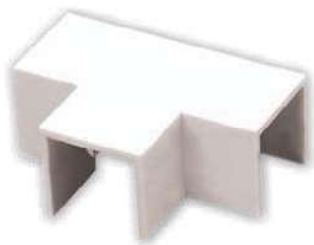
COUPLER

SR NO	PRODUCT CODE	SIZE - W x H (mm)	STANDARD PACK
			Pc/Box
431	PTC 2012	20 x 12	100
432	PTC 2512	25 x 12	100
433	PTC 3212	32 x 12	100
434	PTC 1616	16 x 16	100
435	PTC 2516	25 x 16	100
436	PTC 3816	38 x 16	50
437	PTC 3825	38 x 25	50
438	PTC 5050	50 x 50	10
439	PTC 10050	100 x 50	10



ELBOW

SR NO	PRODUCT CODE	SIZE - W x H (mm)	STANDARD PACK
			Pc/Box
440	PTB 2012	20 x 12	100
441	PTB 2512	25 x 12	100
442	PTB 3212	32 x 12	100
443	PTB 1616	16 x 16	100
444	PTB 2516	25 x 16	100
445	PTB 3816	38 x 16	100
446	PTB 3825	38 x 25	100
447	PTB 5050	50 x 50	10
448	PTB 10050	100 x 50	10



TEE

SR NO	PRODUCT CODE	SIZE - W x H (mm)	STANDARD PACK
			Pc/Box
449	PTT 2012	20 x 12	100
450	PTT 2512	25 x 12	50
451	PTT 3212	32 x 12	50
452	PTT 1616	16 x 16	100
453	PTT 2516	25 x 16	50
454	PTT 3816	38 x 16	50
455	PTT 3825	38 x 25	50
456	PTT 5050	50 x 50	10
457	PTT 10050	100 x 50	10



INTERNAL BEND

SR NO	PRODUCT CODE	SIZE - W x H (mm)	STANDARD PACK
			Pc/Box
458	PTI 2512	25 x 12	100
459	PTI 3212	32 x 12	100
460	PTI 1616	16 x 16	100
461	PTI 2516	25 x 16	100
462	PTI 3816	38 x 16	100
463	PTI 3825	38 x 25	50
464	PTI 5050	50 x 50	10
465	PTI 10050	100 x 50	10

uPVC MINI/MAXI TRUNKING PROFILE FITTINGS (MOULDED)

COLOUR: IVORY / WHITE



EXTERNAL BEND

SR NO	PRODUCT CODE	SIZE - W x H (mm)	STANDARD PACK	
			Pc/Box	
466	PTE 2512	25 x 12	100	
467	PTE 3212	32 x 12	100	
468	PTE 1616	16 x 16	100	
469	PTE 2516	25 x 16	100	
470	PTE 3816	38 x 16	100	
471	PTE 3825	38 x 25	50	
472	PTE 5050	50 x 50	10	
473	PTE 10050	100 x 50	10	



4 WAY

SR NO	PRODUCT CODE	SIZE - W x H (mm)	STANDARD PACK	
			Pc/Box	
474	PTW 3212	32 x 12	50	



END CAP

SR NO	PRODUCT CODE	SIZE - W x H (mm)	STANDARD PACK	
			Pc/Box	
475	PMTC 50	50 x 50	50	
476	PMTC 100	100 x 50	50	



SOCKET MOUNTING FRAME (W)

SR NO	PRODUCT CODE	SIZE - W x H (mm)	STANDARD PACK	
			Pc/Box	
477	PMTS1	1 GANG	30	
478	PMTS2	2 GANG	20	



JUNCTION LINKER

SR NO	PRODUCT CODE	SIZE - W x H (mm)	STANDARD PACK	
			Pc/Box	Pc/Carton
479	PTJL7575	Standard	25	500



SURFACE SWITCH BOX

(Trunking Knockout)

SR NO	PRODUCT CODE	SIZE - W x H (inch)	STANDARD PACK	
			Pc/Box	Pc/Carton
480	PTSB1	3" x 3"	10	300
481	PTSB2	6" x 3"	10	200

uPVC MINI/MAXI TRUNKING PROFILE FITTINGS (FABRICATED)

COLOUR: IVORY / WHITE

38



ELBOW

SR NO	PRODUCT CODE	SIZE - W x H (mm)	STANDARD PACK
			Pc/Bag
482	PMTL751	75 x 50	1
483	PMTL752	75 x 75	1
484	PMTL1002	100 x 100	1
485	PMTL1501	150 x 50	1



TEE

SR NO	PRODUCT CODE	SIZE - W x H (mm)	STANDARD PACK
			Pc/Bag
486	PMTT 751	75 x 50	1
487	PMTT 752	75 x 75	1
488	PMTT 1002	100 x 100	1
489	PMTT 1501	150 x 50	1



INTERNAL ANGLE

SR NO	PRODUCT CODE	SIZE - W x H (mm)	STANDARD PACK
			Pc/Bag
490	PMTI 751	75 x 50	1
491	PMTI 752	75 x 75	1
492	PMTI 1002	100 x 100	1
493	PMTI 1501	150 x 50	1



EXTERNAL ANGLE

SR NO	PRODUCT CODE	SIZE - W x H (mm)	STANDARD PACK
			Pc/Bag
494	PMTE751	75 x 50	1
495	PMTE752	75 x 75	1
496	PMTE1002	100 x 100	1
497	PMTE1501	150 x 50	1



FLAT ANGLE 135°

SR NO	PRODUCT CODE	SIZE - W x H (mm)	STANDARD PACK
			Pc/Bag
498	PTFA50	50 x 50	1
499	PTFA751	75 x 50	1
500	PTFA 752	75 x 75	1
501	PTFA1001	100 x 50	1
502	PTFA1002	100 x 100	1
503	PTFA1501	150 x 50	1

uPVC MINI/MAXI TRUNKING PROFILE FITTINGS (FABRICATED)

COLOUR: IVORY / WHITE



INTERNAL ANGLE 135°

SR NO	PRODUCT CODE	SIZE - W x H (mm)	STANDARD PACK
			Pc/Bag
504	PTIA 50	50 x 50	1
505	PTIA 751	75 x 50	1
506	PTIA 752	75 x 75	1
507	PTIA 1001	100 x 50	1
508	PTIA 1002	100 x 100	1
509	PTIA 1501	150 x 50	1



EXTERNAL ANGLE 135°

SR NO	PRODUCT CODE	SIZE - W x H (mm)	STANDARD PACK
			Pc/Bag
510	PTEA 50	50 x 50	1
511	PTEA 751	75 x 50	1
512	PTEA 752	75 x 75	1
513	PTEA 1001	100 x 50	1
514	PTEA 1002	100 x 100	1
515	PTEA 1501	150 x 50	1



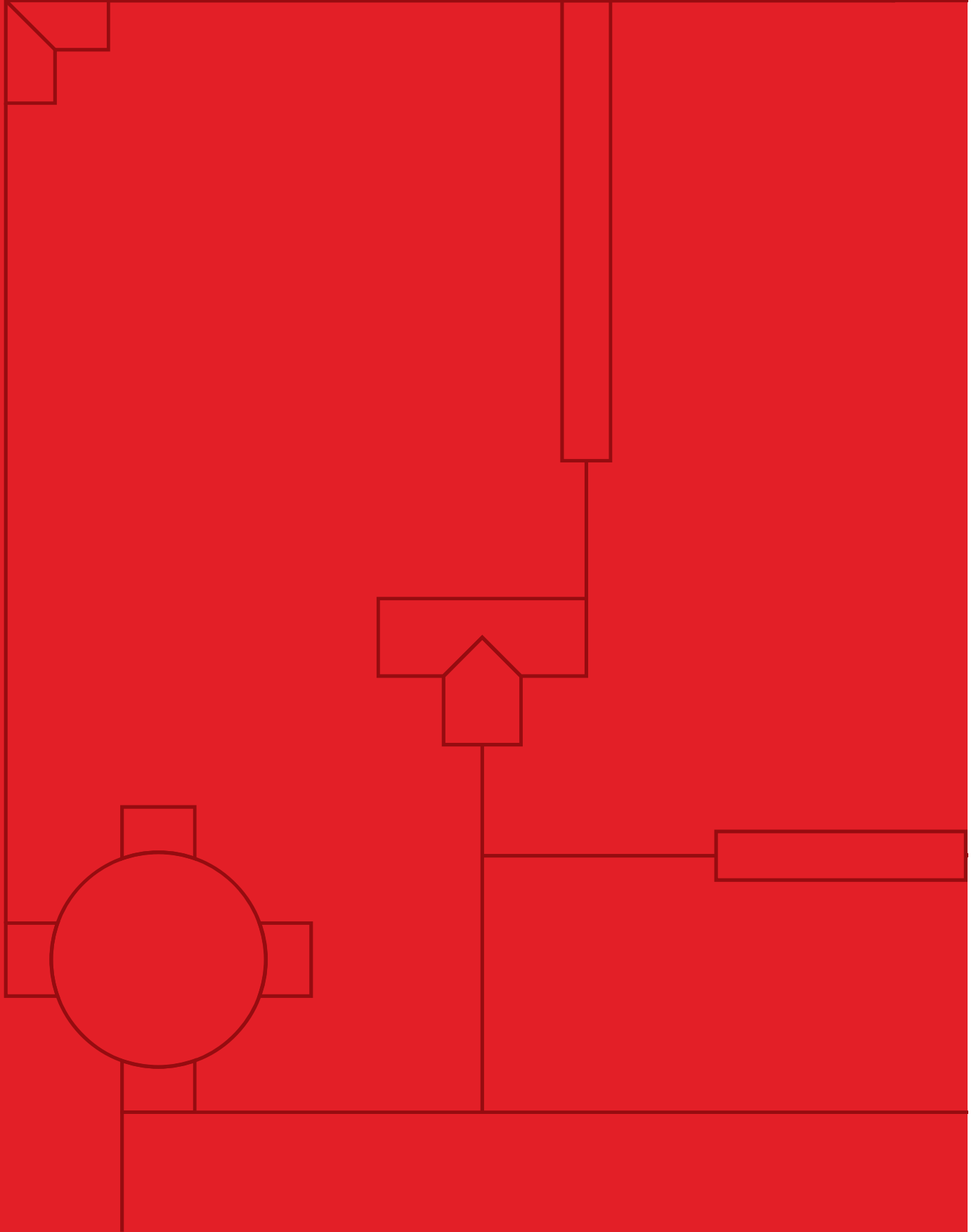
INTERNAL TEE 90°

SR NO	PRODUCT CODE	SIZE - W x H (mm)	STANDARD PACK
			Pc/Bag
516	PTIT 50	50 x 50	1
517	PTIT 751	75 x 50	1
518	PTIT 752	75 x 75	1
519	PTIT 1001	100 x 50	1
520	PTIT 1002	100 x 100	1
521	PTIT 1501	150 x 50	1



EXTERNAL TEE 90°

SR NO	PRODUCT CODE	SIZE - W x H (mm)	STANDARD PACK
			Pc/Bag
522	PTET 50	50 x 50	1
523	PTET 751	75 x 50	1
524	PTET 752	75 x 75	1
525	PTET 1001	100 x 50	1
526	PTET 1002	100 x 100	1
527	PTET 1501	150 x 50	1



uPVC PANEL TRUNKING

Precision uPVC Panel Trunking are manufactured from high impact unplasticised polyvinyl chloride (uPVC) to ensure panel & machinery safety in extreme conditions. These trunkings are ideal to channelise medium and big size panels & various applications where economy, space saving, safety and durability are paramount.

Applications

To conduct, organize and protect cables inside electrical and telecommunication panels, industrial machinery wiring, computer LAN wiring and data centers.

Features

Non-brittle, flame retardant and wrap proof.

Vertical slides and detachable strips facilitates systematic wiring, permits faster connections, additions and fault tracing of wires.

Avoids bunching, taping and provides complete electrical insulation.

Unique cover locking design prevents popping of wires while removing cover.

Elongated slots at bottom allows flexible mounting.

High tensile strength 390 kg/cm².

Thermal resistant from -5°C to +60°C.

Colour

Grey.





uPVC PANEL TRUNKING

COLOUR: GREY

uPVC PANEL TRUNKING - STANDARD SLOT A

SR NO	PRODUCT CODE	SIZE - H x W (mm)	STANDARD PACK	
			Pc x Mtr	Mtr/Carton
528	PPT1515	15 x 15	200 x 1m	200
529	PPT2525	25 x 25	130 x 1m	130
530	PPT3025	30 x 25	125 x 1m	125
531	PPT4525	45 x 25	90 x 1m	90
532	PPT4545	45 x 45	50 x 1m	50
533	PPT4560	45 x 60	50 x 1m	50
534	PPT6025	60 x 25	70 x 1m	70
535	PPT6040	60 x 40	60 x 1m	60
536	PPT6045	60 x 45	50 x 1m	50
537	PPT6060	60 x 60	40 x 1m	40
538	PPT7525	75 x 25	60 x 1m	60
539	PPT7575	75 x 75	30 x 1m	30
540	PPT10075	100 x 75	24 x 1m	24
541	PPT100100	100 x 100	16 x 1m	16

uPVC PANEL TRUNKING - THIN SLOT B

SR NO	PRODUCT CODE	SIZE - H x W (mm)	STANDARD PACK	
			Pc x Mtr	Mtr/Carton
542	PPT 3025TS	30 x 25	125 x 1m	125
543	PPT 4525TS	45 x 25	90 x 1m	90
544	PPT 4545TS	45 x 45	50 x 1m	50
545	PPT 6025TS	60 x 25	70 x 1m	70
546	PPT 6040TS	60 x 40	60 x 1m	60
547	PPT 6045TS	60 x 45	50 x 1m	50
548	PPT 6060TS	60 x 60	40 x 1m	40

uPVC PANEL TRUNKING - TOP COVER C

SR NO	PRODUCT CODE	SIZE (mm)	STANDARD PACK	
			Pc x Mtr	Mtr/Carton
549	PPT 25T	25	100 x 1m	100
550	PPT 45T	45	50 x 1m	50
551	PPT 60T	60	50 x 1m	50
552	PPT 75T	75	25 x 1m	25
553	PPT 100T	100	25 x 1m	25

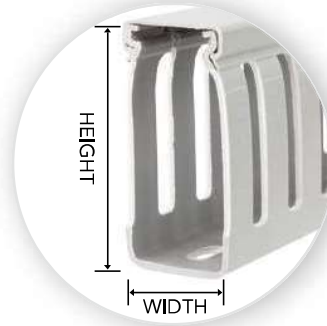
* Available with normal and thin slots in 1mtr and 2mtr length.

* Panel Trunking also available without slots.

* Cut length available

OPTIMAL GRIP LID

- Precision's Panel Trunking lid design provides high capacity to sustain leads of wire in the case of a cable positioned in the centre of the duct and avoids them from riding up.
- Quick snap on/off and non-slip assembly forms a firm rigid channel.

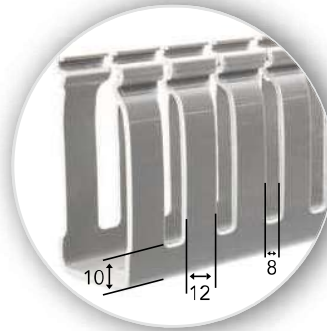


- Interlocking lid and channel is optimised to make the system easier to install and to provide discrete routing of cables.
- Uniform grip and thickness throughout the length system with independent non-slip lid, keeps cover in place during high vibration applications.



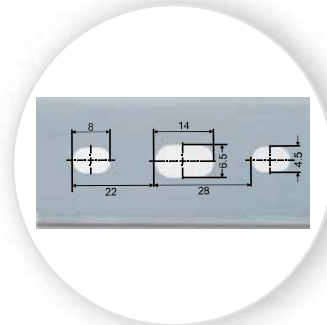
WALL PERFORATION RIB DESIGN

- All wall perforation ribs of Precision Panel Trunking have larger rounded slots for easy insertion of wires and cables.
- Rounded design with burr-free edges to prevent any injury to the hand of the user or to the cable insulation.



ELONGATED MOUNTING SLOTS

- Perforated base with elongated slot allows flexible mounting and better fastening of the cables.
- Robust sections.

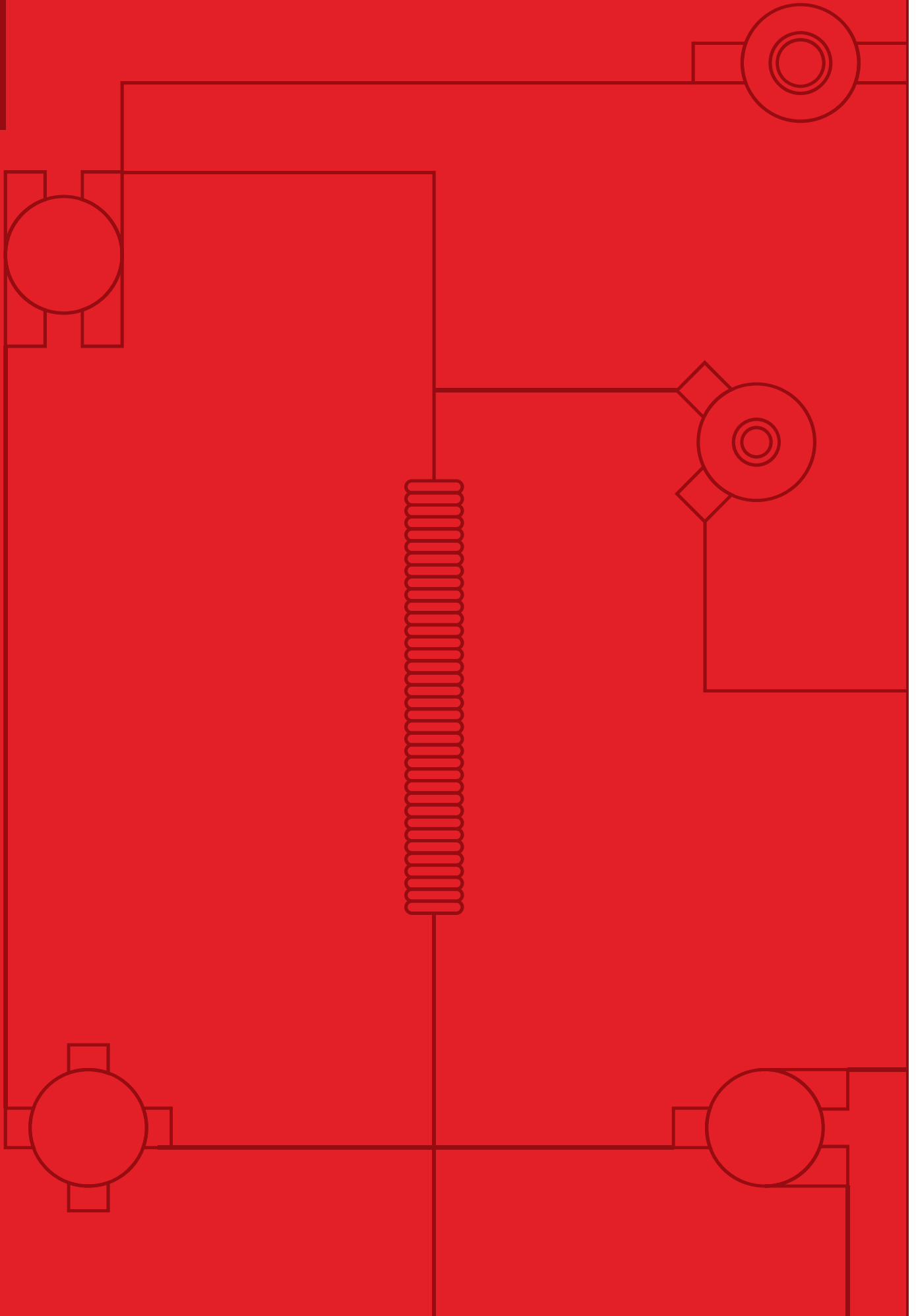




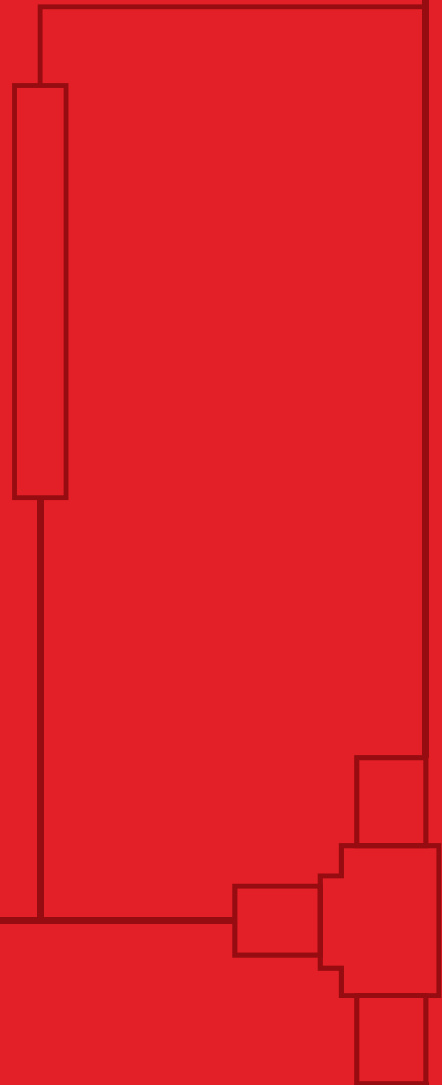
YOU SEE PIPE. WE SEE LIFE.

At Precision, we take immense pride in the quality and durability of our pipes and fittings which we believe brings life to every home in the form of electricity and water. This motivates us daily, to bring the best to you.

Visit www.precisionpipes.com to
Explore our Plumbing Piping Systems



TECHNICAL INFORMATION



MATERIAL DATA

Specific Gravity	:	1.40 - 1.46
Impact Resistance	:	High impact resistance. The material is formulated to comply with -5°C to 60°C to IS 9537-Part 3 and IS 14927-Part 2 Cable Trunking Standards.
Tensile Strength	:	450/565 kg/cm ²
Chemical Resistance	:	The material is virtually unaffected by inorganic acid, alkalis, and salt.
Coefficient of linear Expansion	:	7x10/m/deg.C
Water Absorption	:	Negligible
Flammability	:	IS 9537-Part 3, IS 3419:1988, IS 14927-Part 2, BS 4607 and BS EN 61386-21
Vicat. Softening point (Pipe & Trunking)	:	80°C
Vicat. Softening point (Moulded Fittings)	:	76°C
Oxygen Index	:	40%
Electric Strength	:	To the requirement of IS 9537-Part 3. IS 3419:1988, IS 14927-Part 2, BS 4607 and BS EN 61386-21
Insulation Resistance	:	To the requirements of IS 9537-Part 3, IS 3419:1988, IS 14927-Part 2, BS 4607 and BS EN 61386-21
Operating Temperature	:	-5°C to +60°C

STANDARDS

Conduit	:	IS 9537-Part 3, BS EN 61386-21
Conduit Fittings	:	IS 3419:1988 with latest amendment, BS 4607
Trunking	:	IS 14927-Part 2, BS EN 50085-2-1:2006

Quality Confirmation



Low Voltage Directive



Precision products that comes within the scope of Low Voltage Directive (LVC) 2006/95/EC, RoHS Directive 2002/95/EC will be CE marked on their product or packaging that they meet the necessary requirements of the directive.

UL Certification For Plastic Component



CONDUIT AND TRUNKING

The following notes are intended to be a guide to the installation of Precision Conduit, Trunking and Fitting. To ensure safety in installation, commissioning and maintenance, work should be undertaken by competent personnel and in accordance with relevant codes of practice and statutory requirements. Information on installation can be found in:

- Regulations, Indian standards specifications and code of practice.
- Regulation for electrical equipment of buildings (IEE publication).

CONDUIT

Choice of Conduit

The choice depends on the type of work being undertaken and the specification, Heavy Mechanical Stress (HMS) and Medium Mechanical Stress (MMS) Round Conduits are normally used in casting in situ and surface work. Light Mechanical Stress (LMS) Conduit is suitable for concealed work in drops and in screeds & surface. Oval Conduit is normally chosen for use in plastered walls and can be used as switch drops in surface work. Trunking Profile are generally used as a method of installing cables in domestic / commercial in surface work and installation beneath plaster.

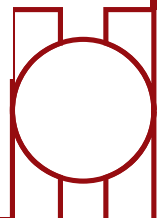
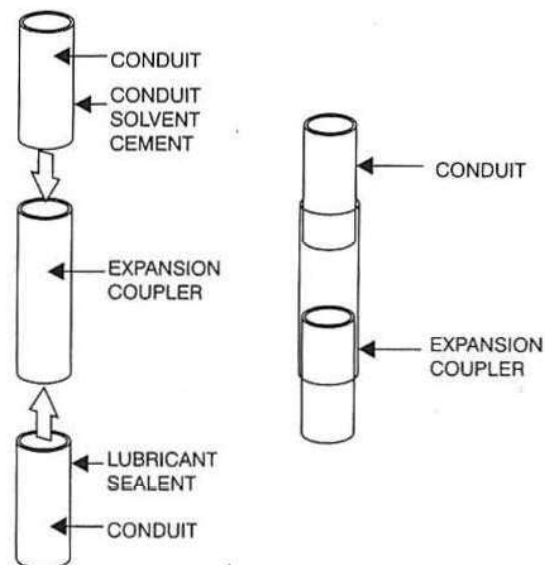
Surface Installation

All horizontal runs of conduit should be secured at a maximum distance of 0.9 meter and vertical runs should be secured at a maximum of 1.2 meter. For high ambient temperatures or where rapid changes in temperature are likely to be encountered the distance should be reduced. At fittings or where directional changes takes place the conduit should be fastened approximately 150 mm either side to maintain support. The fastening should not be over tightened to permit thermal movement of the conduit.

Joint and Couplers

To accommodate for thermal movement due to temperature change on surface installations, it is recommended that expansion couplers be used at a maximum distance of 6 meters intervals. Where high ambient temperature or frequent variation in temperature is likely to occur this distance should be reduced. Expansion couplers are installed with the short side coated with solvent cement and coupler pushed firmly over the conduit down to nib. The slip side coated with silicon grease receives the conduit to a midpoint to the nib. This will then permit for expansion or contraction providing the conduit is free to move in the saddle.

Conduit fittings are installed in the system using solvent cement for permanent installation and silicon grease where installation is subject to frequent changes.



Jointing

PVC solvent cement is the recommended method of joining conduit into fitting like couplings, adaptors, bends, and boxes. Precision solvent cement is especially formulated for watertight permanent joint.

BONDING INSTRUCTIONS

Conduits and fittings to be bonded must be clean, dry and free from oil moisture, dirt and grease.

- Cut the pipe, remove burr from the both inside and outside of the pipe with knife, file or reamer.
- Apply an even layer of cement to the pipe and fitting.
- Immediately push the pipe into the fitting together to the full depth without twisting. Hold in place for 30 seconds and clean off excess cement.

Bending

Bending of conduit up to 25 mm in diameter can be carried out using correct size and gauge of bending spring. It should be noted that heavy gauge spring is plated yellow colour for heavy conduit and medium / light gauge spring is plated silver colour for medium and light pipe. These springs are not interchangeable. Make sure they are not damaged in any way, as this can cause the conduit to kink and fracture making removal of spring difficult.

Cold Bending

To bend the conduit, insert the spring to the desired position, grip the conduit on either side of the bend and bring slowly together to form the bend. The bend should be made more acute than necessary because of tendency of the PVC to recover after bending. Pull the spring gently. Do not pull too hard otherwise damage to the spring may occur. The conduit should then be fastened into position to prevent further recovering.

Hot Bending

For conduit sizes over 25 mm diameter, hot bending is required, with the same procedure as cold bending; but with the application of gentle heat just prior to bending with care being taken to avoid the direct application of flame to the conduit. When the conduit is in pliable state, slowly bend around a suitable former, holding the position for about one minute until set.

If the conduit is bent too fast or, particularly in the case of light conduit, there is a risk of damage to both the conduit and spring. Similarly once the bend has been made it should not be forced backwards, but be allowed to recover naturally.

Earthing

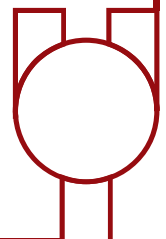
The properties of PVC make it an all insulated system and the use of separate earth cable is essential which greatly reduces the risk of poor earth continuity that can result from any breakdown of joint, which may occur in a steel system.

DIMENSIONS OF ROUND CONDUIT uPVC PIPES IS 9537-PART 3

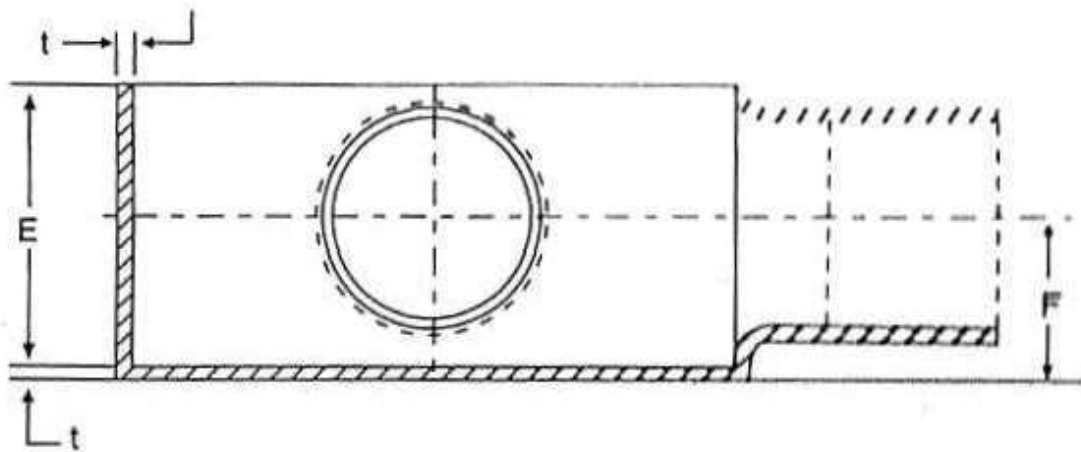
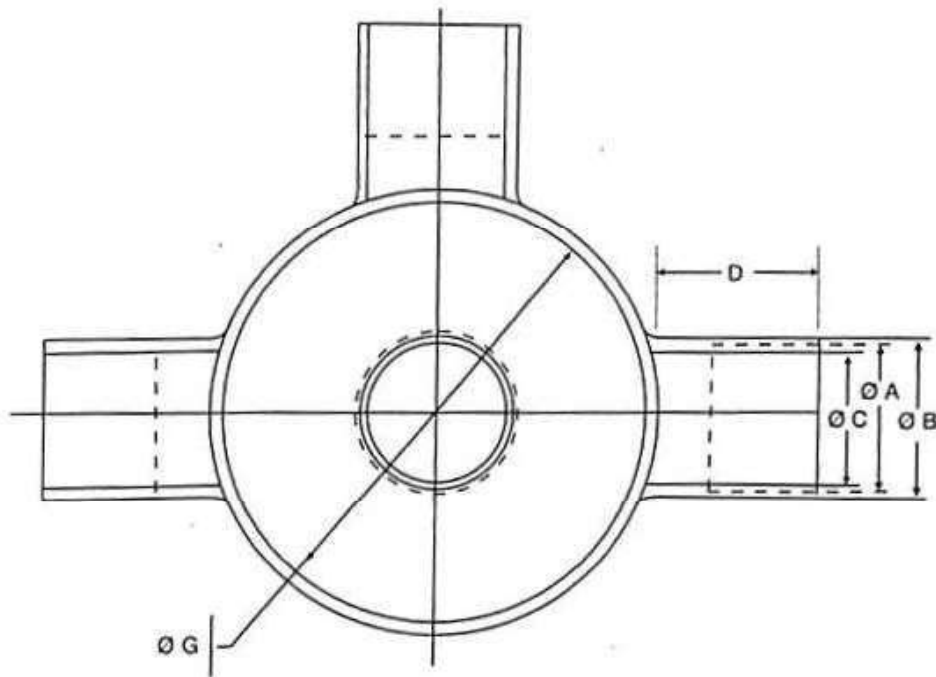
NORMAL SIZE (mm)	OUTSIDE DIAMETER (mm)	TOLERANCE ON OUTSIDE DIAMETER (mm)	INSIDE DIAMETER (Min) (mm)		
			LIGHT	MEDIUM	HEAVY
16	16	-0.3	13.7	13.0	12.2
19	19	-0.3	16.5	16.0	15.1
20	20	-0.3	17.4	16.9	15.8
25	25	-0.4	22.1	21.4	20.6
32	32	-0.4	28.6	27.8	26.6
40	40	-0.4	35.8	35.4	34.4
50	50	-0.5	45.1	44.3	43.2
63	63	-0.6	57.0	-	-

DIMENSIONS OF CORRUGATED FLEXIBLE CONDUITS

NOMINAL DIAMETER (mm)	MAXIMUM OUTSIDE DIAMETER (mm)	TOLERANCE ON OUTSIDE DIAMETER (mm)	MINIMUM INSIDE DIAMETER (mm)
10	10	-0.1	7.0
16	16	-0.3	10.7
20	20	-0.3	14.1
25	25	-0.4	18.3
32	32	-0.4	24.3
40	40	-0.4	31.2
50	50	-0.5	39.6
63	63	-0.6	52.6



SPOUT TYPE - CIRCULAR JUNCTION BOXES IS 3419:1988



Nominal Outside Diameter of Conduit

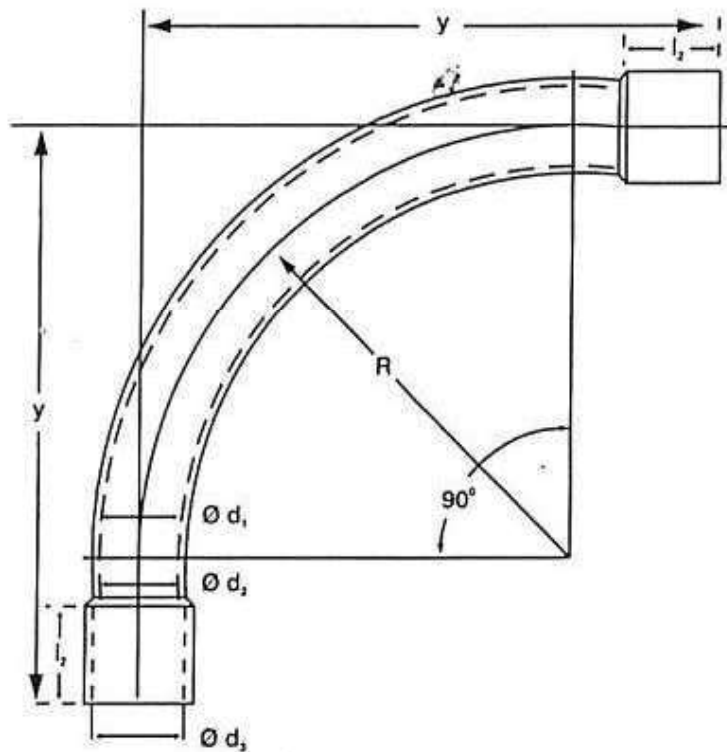
A	B MIN	C	D MIN	E MIN	F MAX MIN	G	T MIN	
(1) 20	(2) 23.0	(3) 17.00 + 0.25	(4) 20.0	(5) 25	(6) 14.5	(7) 13.5	(8) 60 + 1.5	(9) 1.6
25	29.5	22.75 + 0.25	23.0	28	17.5	16.5	60 + 1.5	1.6

DEEP CIRCULAR JUNCTION BOX

Nominal Outside Diameter of Conduit								
A	B MIN	C	D MIN	E	F MAX MIN		G	T MIN
(1)	(2)	(3)	(4)	(5)	(6)	(7)	(8)	(9)
20	23.0	17.00 + 0.25	20.0	65 + 0.2	14.5	13.5	60 + 1.5	1.6
25	29.5	22.75 + 0.25	23.0	65 + 0.2	17.5	16.5	60 + 1.5	1.6
32	35.5	29.5 + 0.5	24.0	65 + 0.2	19.5	18.5	60 + 1.5	1.6

SLIP TYPE COUPLING BENDS IS: 3419-1988

All dimensions in millimeters.



Nominal Size	Outside Diameter of Bend d1	Minimum Inside Diameter of Bend d2	Inside Diameter of Collar d3	R	Y	L
(1)	(2)	(3)	(4)	(5)	(6)	(7)
16	16-0.3	13.1	16.1 + 0.2	55	100	35
20	20-0.3	16.9	20.1 + 0.2	65	115	35
25	25-0.3	21.3	25.1 + 0.3	90	160	35
32	32-0.3	27.9	32.1 + 0.3	125	215	45
40	40-0.3	35.5	40.1 + 0.4	160	260	45
50	50-0.3	44.7	50.1 + 0.4	210	310	55

MINI/MAXI TRUNKING PROFILE

Precision Trunking Profile system is designed to give improved appearance and security to surface cables with its wide range of Trunking sizes and fittings offers an efficient and economical solution to cable management. Trunking Profile consists of base and clip on lid which is fitted to the base by pressing it along its front face. The lid can be easily removed by lifting it from the base at one end and peeling it away. The lid has an easy closing mechanism, which is designed to give a securely closed installation, yet is easily accessible for maintenance or modification.

Mounting

Drill oversize holes on base of Trunking Profile to mechanically fix to the desired surface using flat head screws with washers. Fixing center should not be more than 400 mm apart, or more than 150 mm away from the end of the straight run.

Joints

At each joint 3 mm should be left for expansion. A fine toothed tension saw and mitre block should be used to cut the Trunking to provide a neat installation. Internal bends must be mitred to ensure total enclosure of Trunking Profile. External bends should be cut square with the corner and flat angles and tees, cut the side wall of Trunking Profile for the cable entry. None of the cutting is critical as the clip on fittings have a built-in overlap for the lid and sidewalls.

CONDUIT AND TRUNKING CABLE CAPACITIES

Single-core PVC - insulated cables in straight runs of conduit not exceeding 3 meters in length.

For each cable it is intended to use, obtain the appropriate factor from Table 1A.

Add all the cable factors so obtained and compare with the conduit factors given in Table 1 B.

The conduit size which will satisfactorily accommodate the cables in that size having a factor equal to or exceeding the sum of the cable factors.

Single-core PVC - Insulated cables In straight runs of conduit exceeding 3 meters in length, or in runs of any length incorporating bends or sets.

For each cable it is intended to use, obtain the appropriate factor from Table 1C.

Add all the cable factors so obtained and compare with the conduit factors given in Table 1D, taking into account the length of the run it is intended to use and the number of bends and sets in that run.

The Conduit size which will satisfactorily accommodate the cables is that size having a factor equal to or exceeding the sum of the cable factors.

TABLE 1A
Cable factors for short straight runs

Type of Conductor	Conductor cross sectional area (mm ²)	Factor
Solid	1.0	22
	1.5	27
	2.5	39
Stranded	1.5	31
	2.5	43
	4.0	58
	6.0	88
	10.0	146

TABLE 1B
Conduit factors for short straight runs

Conduit Dia (mm)	Factor
16	290
20	460
25	800
32	1400

TABLE 1C
Cable factors for short straight runs or runs incorporative bends

Type of Conductor	Conductor cross sectional area (mm ²)	Factor
Solid or Stranded	1.0	16
	1.5	22
	2.5	30
	4.0	43
	6.0	58
	10.0	105

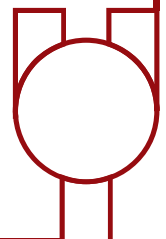


TABLE 1D
Conduit factors for runs incorporating bends

Length of run (mtr)	CONDUIT																							
	16	20	25	32	16	20	25	32	16	20	25	32	16	20	25	32	16	20	25	32				
	Straight				One bend				Two bends				Three bends				Four bends							
1.0	Covered by Tables 1A and 1B				188	303	543	947	177	286	514	900	158	256	463	818	130	213	388	692				
1.5					182	294	528	923	167	270	487	857	143	233	422	750	111	182	333	600				
2.0					177	286	514	900	158	266	463	818	130	213	388	692	97	159	292	529				
2.5					171	278	500	878	150	244	442	783	120	196	358	643	86	141	260	474				
3.0	Covered by Tables 1A and 1B				167	270	487	857	143	233	422	750	111	182	333	600	-	-	-	-				
3.5					179	290	521	911	162	263	475	837	136	222	404	720	103	163	311	563	-	-	-	-
4.0					177	286	514	900	158	256	463	818	130	213	388	692	97	159	292	529	-	-	-	-
4.5					174	282	507	889	184	250	452	800	125	204	373	667	91	149	260	474	-	-	-	-
5.0	171	278	500	878	150	244	442	783	120	196	358	643	86	141	260	474	-	-	-	-				
6.0	167	270	487	857	143	233	422	750	111	182	333	600	-	-	-	-	-	-	-	-				
7.0	162	263	475	837	136	222	404	720	103	169	311	563	-	-	-	-	-	-	-	-				
8.0	158	256	463	818	130	213	388	692	97	159	292	529	-	-	-	-	-	-	-	-				
9.0	154	250	452	800	125	204	373	667	91	49	275	500	-	-	-	-	-	-	-	-				
10.0	150	244	442	783	120	196	358	643	86	141	260	474	-	-	-	-	-	-	-	-				

The content of all the technical information are for guidance only, if you have any doubt as to the interpretation of the information contained therein, please refer to the standard itself or contact Precision Plastic Industries Pvt. Ltd. In accordance with our policy of continual improvement, Precision Plastic Industries Pvt.Ltd. reserve the right to change specifications and designs without notice.